

TX - C1

315/433.92MHZ  
Hybrid  
Transmitter

- ◎Ideal for 315/433.92MHz Remote Keyless-Entry Transmitter.
- ◎SAW RESONATOR
- ◎ASK Design

The TXC1 is an ASK transmitter module .The result is excellent performance in a simple-to-use .The TXC1 is designed specifically for remote-control , wireless mouse and car alarm system operating at 315/433.92 Mhz in the USA under FCC Part 15 regulation.

#### Absolute Maximum Ratings

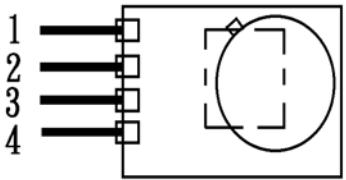
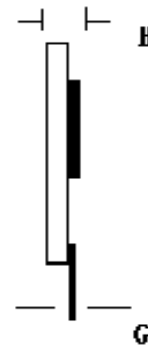
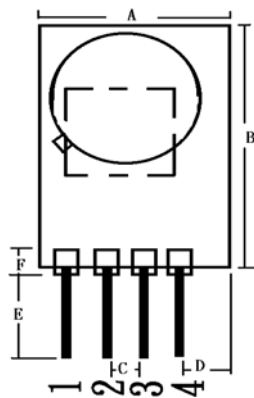
Parameter	Value	Units
Power Supply and/or Modulation Input Voltage	3	V
Operating temperature	-20 to +60	°C

#### Receiver Characteristics

Parameter	Symbol	Condition	Value			Unit	
			min.	typ.	max.		
Output power		Vcc=3.0V,TA=27°C, 50Ω load	315MHz	2	3	6	dBm
			434MHz	1	3	6	dBm
Supply current	Icc		9	10	19	mA	
Supply voltage Range	Vcc			3		V	
Data Rate			300	1K	10K	bps	

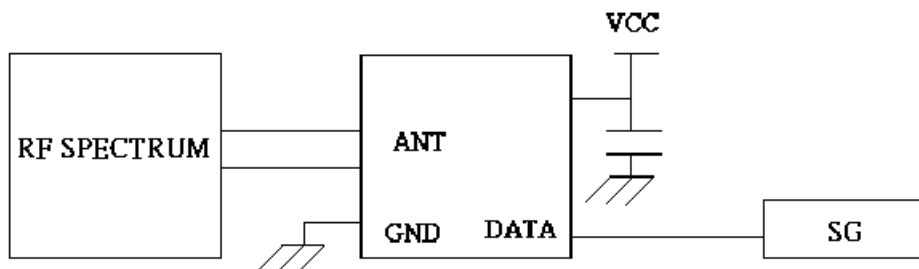
Pin assignment

PIN	Connections
1	GND
2	DATA
3	VCC
4	ANT

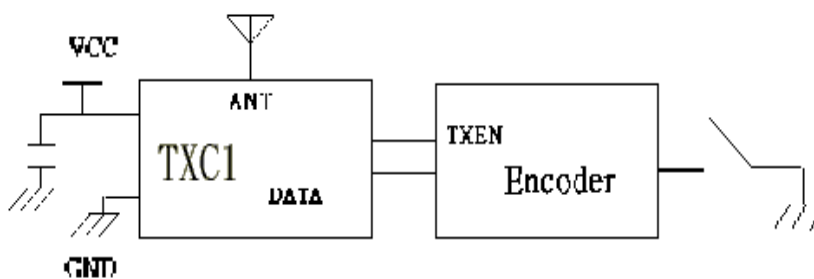



Dimensions	Millimeters	Dimensions	Millimeters
A	14.5 + 0.25mm	F	0.1 + 0.05mm
B	18.5 + 0.25mm	G	0.04 + 0.005mm
C	1.8 + 0.05mm	H	4.2 + (MAX)
D	5.0 + 0.1mm		
E	6.5 + 0.1mm		

## Typing Test Circuit



## Typical transmitter Application



## Notes:

1. Encoder : HT12D/F , PTC ( 2262 )
2. Antenna : Length = 22.6cm for 315MHz ; Length = 17.2 cm for 434MHz.